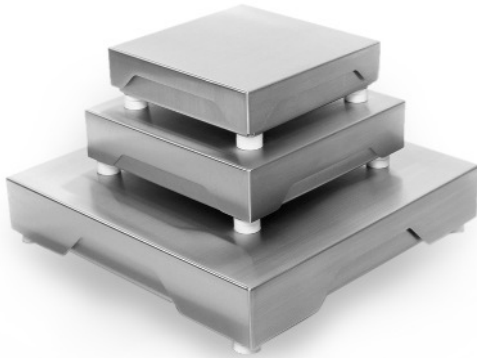


Checkweigher and Bench Scales

ENVIRO™ Series



Hardy's Enviro™ checkweigher bench scales are made to meet the need of the food and chemical industries for sanitary checkweighing electronics that withstand high-pressure, high-temperature washdown environments. Versatile enough for use in various applications, the Enviro's™ sanitary design, commercial approval, washdown rating and easy-to-use front-panel checkweighing functions make it the ultimate checkweighing instrument.

ULTIMATE SANITARY DESIGN

Made of stainless steel 304 and featuring an IP69K rated instrument, the Enviro™ washdown checkweighers are designed for easy cleaning and sanitizing, and are completely sealed so moisture can never penetrate. All welds are continuous, which prevents processing materials and moisture from accumulating and forming colonization points for harmful bacteria like Salmonella, E. Coli, and Listeria Monocytogenes.. The ultra-thick overlay resists punctures and abrasive cleaning agents. Adhering to the AMI's strict standards ensures that Enviro™ scales are safe for use in RTE areas and other production applications.



VERSATILE IN FUNCTIONALITY

The Enviro™ checkweigher features four programmable checkweigh ranges, Peak Hold to capture the highest weight value recorded, multi-point calibration, three remote switches, accumulation or auto-accumulate, print or auto-print, and RS232 and RS485 outputs (standard). The Enviro™ checkweigher boasts the most visible display in the industry, with larger-than-average digits and amber LEDs (with seven selectable intensity settings) that have been scientifically proven to reduce eye strain.

BENCH SCALES

The superior sanitary design and durable stainless steel construction of the Enviro™ washdown bench scales are a perfect foundation for a reliable sanitary bench scale configuration. Just add your choice of a Hardy Instruments weight controller/indicator. All surfaces are visible and accessible for cleaning and sanitizing. Closed corners on the platform cover prevent splash collection of water or processing materials inside the scale. Bushing and spacers are used to eliminate lap joints and facilitate quick and easy cleaning.

Weighing Applications

- Heavy washdown
- Food processing
- Batching
- Filling
- Process control
- System integration

Features and Advantages

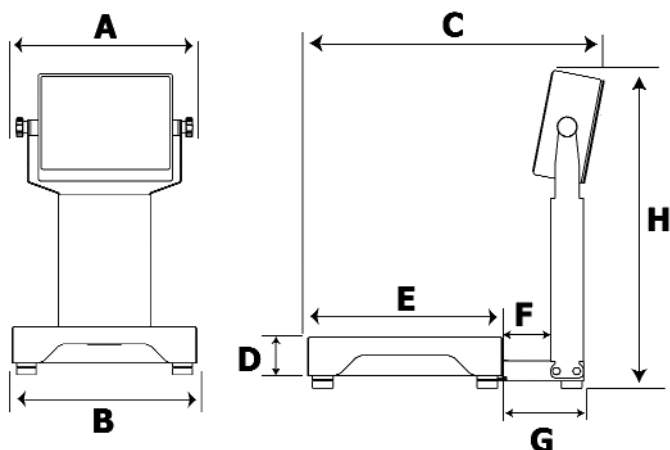
- **Sanitary design:**
Stainless steel construction with no collection points lets you clean to a microbial level
- **IP69K and NEMA 4 ratings:**
Allows for high-pressure washdown cleaning
- **Easy-to-use front panel checkweighing functions:**
Four programmable checkweigh ranges, peak hold, accumulation and print are standard
- **Large digits and amber LEDs with seven intensity settings:**
Reduce eye strain

SPECIFICATIONS STAINLESS STEEL BENCH SCALES

- **Capacities**
2 to 100 lb
- **Platform sizes**
10"x10", 12"x12", 18"x18"; type 304 stainless steel
- **Resolution**
3000 divisions; 10,000 divisions non-commercial
- **Overload**
Up to 500% of scale capacity
- **Configurations**
Bench scale; bench scale with remote instrument; bench scale with pillar and instrument
- **Approvals**
CE, NTEP, MC, FM (all pending)

All specifications subject to change without notice.
Visit www.hardyinstruments.com for up-to-date specs.

		Commercial Division Size		Non-Commercial Division Size	
Platform Size	Capacity	lb	kg	lb	kg
		(Pounds)	(Kilograms)	(Pounds)	(Kilograms)
10"x10"	2 lb	N/A	N/A	2 x 0.0005	1 x 0.0002
10"x10"	6 lb	6 x 0.002	2 x 0.001	6 x 0.001	2 x 0.0005
10"x10"	10 lb	10 x 0.002	4 x 0.001	10 x 0.001	4 x 0.0005
10"x10"	25 lb	25 x 0.005	11 x 0.002	25 x 0.002	1 x 0.002
12"x12"	30 lb	30 x 0.01	13 x 0.005	30 x 0.005	13 x 0.002
12"x12" 18"x18"	50 lb	50 x 0.01	22 x 0.005	50 x 0.005	22 x 0.005
18"x18"	100 lb	100 x 0.02	45 x 0.01	100 x 0.01	45 x 0.005



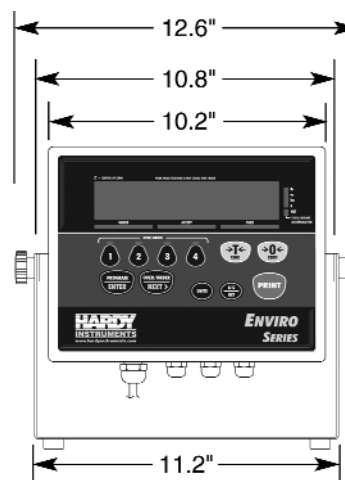
Sanitary Stainless Steel Bench Scales, Pillars and Instruments Matrix								
Platform	A	B	C	D	E	F	G	H
10"x10"	12.63"	10"	16.37"	2.89"	10"	2.98"	4.98"	19.88" 10" pillar
12"x12"	12.63"	12"	18.37"	3.10"	12"	2.98"	4.98"	27.83" 18" pillar
18"x18"	12.63"	18"	24.37"	3.87"	18"	2.98"	4.98"	27.83" 18" pillar

Leasing options: Ask your Hardy Sales Representative for details

SPECIFICATIONS IP69K INSTRUMENT

- **Display**
1.25" high, 6-digit, amber LED (intensity selectable)
- **Enclosure**
304 stainless steel, IP69K rated
- **Push-button keys**
Zero, Print, Units, Tare, B/G Net, Checkweigh, Program, Over/Under 1-4 (programmable)
- **Units**
lb, kg, oz, g, lb-oz, or custom
- **Capacity**
Selectable 0 to 999,999
- **Graduation Size**
0.0001 to 50
- **Power Requirements**
110 VAC or 220 (jumper); 50/60 Hz
- **Output**
COM1: RS232; COM2: RS485
- **Approvals**
CE, NTEP, MC, ETL (all pending)

Enviro™ IP69K Stainless Steel Enclosure



To learn more about Hardy's Enviro™ Scales, visit www.hardyinst.com/Enviro

Hardy Instruments
3860 Calle Fortunada
San Diego, CA 92123-1825
tel. +1-858-278-2900
tel. 800-821-5831
fax +1-858-278-6700
www.hardyinstruments.com
hardyinfo@hardyinst.com

**ISO 9001:2000
CERTIFIED**

Enviro_rev1209