

4101C, 4101M 4102C, 4102M

MODELS

- **Continuous Pen Recording**
1, 2, 3 or 4 Pens
- **Multi-point Recording**
Providing 6 Colour traces
- **High Visibility Display**
4101C, 4101M – Clear Analogue Scale
4102C, 4102M – Large 7 Segment numeric Display
- **Isolated Universal Inputs**
Select from mA, mV, V, Thermocouples and RTD
- **Annotation**
Clear text printing of time/date and messages



Strip Chart Recorders Specification Sheet

The 4101/2 are low cost, 100mm strip chart recorders, providing recording for up to 4 (continuous pen) or 6 (multi-point) process variables. Designed to fit a DIN cut out (138 x 138 mm) the recorders feature an exceptionally small back panel dimension of 236mm with the cover fitted.

Display

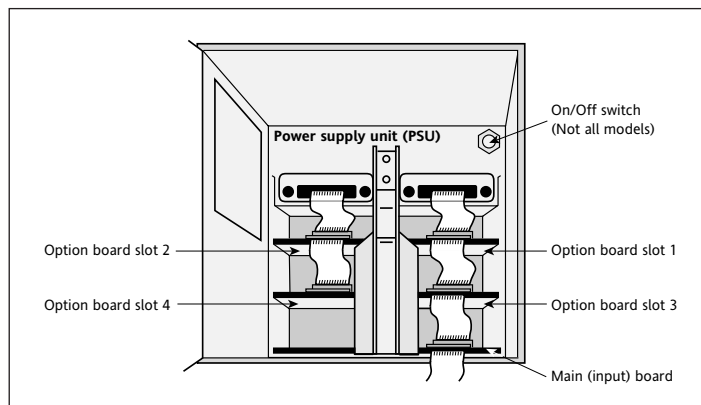
An analogue scale, specified at the time of order is supplied with all 4101 recorders. The 4102 is supplied with a high visibility seven segment display, providing clear numeric indication of the process variables, and alarm status. The display will cycle through each PV, but can be paused on a particular channel if required.

Configuration

The 4101 is supplied pre-configured and ready for use. The addition of a keypad to the 4102 allows for configuration to be carried out on site. In order to prevent unauthorised access to the 4102, the configuration is password protected. Entry of the password provides access to the instrument configuration pages. It is possible to provide the operator access to certain parameters, for example you may require the operator to be able to change the chart speed

Modular Design – All

The modular design of the 4100 Series allows for upgrades to be carried out in situ thus reducing downtime.



Exploded view

TECHNICAL SPECIFICATION

Input Board

General

Input types:	dc Volts, dc millivolts, dc milliamps (with shunt), Thermocouple, 2 / 3-wire RTD (Channel 1 can be RTD only if no other channels are thermocouple) User configurable
Input type mix:	
Max no of inputs:	4101C, 4102C: 4 4101M, 4102M: 6
Input ranges:	-30 to +150mV; -0.2 to +1 Volt; -2 to +10 Volts
Termination:	Edge connector / terminal block
Noise rejection (48 to 62 Hz):	Common mode: >140dB (channel to channel and channel to ground). Series mode: >60dB.
Maximum common mode voltage:	250 Volts continuous
Maximum series mode voltage:	180 mV at lowest range; 12 Volts peak at highest range.
Isolation (dc to 65 Hz; EN61010):	Installation cat. II; Pollution deg. 2
Channel to channel:	300V RMS or dc (double insulation)
Channel to common electronics:	300V RMS or dc (double insulation)
Channel to ground:	300V RMS or dc (basic insulation)
Dielectric strength (BS EN61010):	(1 minute type tests.)
Channel to channel:	2300 Vac
Channel to ground:	1350 Vac
Insulation resistance:	>10MΩ at 500V dc
Input impedance:	150mV and 1V ranges: >10MΩ; 10V range: 68.8kΩ
Over voltage protection:	50 Volts peak (150V with attenuator)
Open circuit detection:	±57nA max.
Recognition time:	4101C, 4102C: 250 msec 4101M, 4102M: 500 msec
Minimum break resistance:	10MΩ

DC Input ranges

Shunt/attenuator:	Externally mounted resistor modules
Additional error due to shunt:	0.1% of input
Additional error due to attenuator:	0.2% of input
Performance:	See table 1

Low Range	High Range	Resolution	Maximum error (Instrument at 20°C)	Worst case temperature performance
-30mV	150mV	5.5µV	0.084% input + 0.053% range	80ppm of input per °C
-0.2V	1V	37µV	0.084% input + 0.037% range	80ppm of input per °C
-2V	10V	370µV	0.275% input + 0.040% range	272ppm of input per °C

Table 1 DC performance

Thermocouple data

Temperature scale:	ITS 90
Bias current:	0.05 nA
Cold junction types:	Off, internal, external
CJ error:	1°C; instrument at 25°C
CJ rejection ratio:	50:1 minimum
Upscale / downscale drive:	High, low or none
Types and ranges:	See table 2

T/C Type	Overall range (°C)	Standard	Max linearisation error (4102C, 4102M only)
B	0 to +1820	IEC 584.1	0 to 400°C: 1.7°C 400 to 1820°C: 0.03°C
C	0 to +2300	Hoskins	0.12°C
D	0 to +2495	Hoskins	0.08°C
E	-270 to +1000	IEC 584.1	0.03°C
G2	0 to +2315	Hoskins	0.07°C
J	-210 to +1200	IEC 584.1	0.02°C
K	-270 to +1372	IEC 584.1	0.04°C
L	-200 to +900	DIN43700:1985 (To IPTS68)	0.20°C
N	-270 to +1300	IEC 584.1	0.04°C
R	-50 to +1768	IEC 584.1	0.04°C
S	-50 to +1768	IEC 584.1	0.04°C
T	-270 to +400	IEC 584.1	0.02°C
U	-200 to +600	DIN43700:1985	0.08°C
Ni/NiMo	0 to +1406	Ipsen	0.14°C
Platinel	0 to +1370	Englehard	0.02°C

Table 2 Thermocouple types and ranges

Resistance inputs

Ranges (including lead resistance):	0 to 600Ω, 0 to 6kΩ
Influence of lead resistance:	Error: negligible; Mismatch: 1 Ω/Ω
Temperature scale:	ITS90
Resolution and performance:	See Table 3
RTD types and ranges:	See Table 4

Low Range	High Range	Resolution	Maximum error (Instrument at 20°C)	Worst case temperature performance
0Ω	600Ω	22mΩ	0.045% input + 0.065% range	35ppm of input per °C
0Ω	6000Ω	148mΩ	0.049% input + 0.035% range	35ppm of input per °C

Table 3 Resolution and performance for resistance inputs

RTD Type	Overall range (°C)	Standard	Max linearisation error (4102C, 4102M only)
JPT100	-220 to +630	JIS C 1604:1989	0.01°C
Ni1000	-60 to +250	DIN43760:1987	0.01°C
Ni120	-50 to +170	DIN43760:1987	0.01°C
Pt100	-200 to +850	IEC 751	0.01°C
Pt100A	-200 to +600	Eurotherm Recorders SA	0.09°C
Pt1000	-200 to +850	IEC 751	0.01°C

Table 4 RTD types and ranges

INSTALLATION CATEGORY II The rate impulse voltage for equipment on nominal 230V mains is 2500V.
POLLUTION DEGREE 2 Normally, only non-conductive pollution occurs. Occasionally, however, a temporary conductivity caused by condensation shall be expected

Recorder

Board types

Standard:	Universal input / control board
Options:	3- Change-over relay output board Transmitter power supply Event input board, Annotator board

Environmental Performance

Temperature limits:	Operation: 0 to 50°C. Storage: -20 to + 70°C
Humidity limits:	Operation: 5% to 80% RH (non-condensing) Storage: 5% to 90% RH (non-condensing)
Protection:	Door and Bezel: IP54 Sleeve: IP20 Transmitter PSU cover: IP10
Shock:	BS EN61010
Vibration:	2g peak at 10 Hz to 150Hz
Altitude (max.):	2000 metres

Power requirements

Line voltage:	Standard: 90 to 264V at 45 to 65 Hz Enhanced interrupt protection: 90 to 132V at 45 to 65 Hz
Low voltage:	20 to 54V dc or 20 to 35V ac (45 to 400 Hz)
Power (Max):	100 VA
Fuse type:	Not user accessible
Interrupt protection:	Standard: 40ms at 75% max. instrument load Enhanced: 120ms at 75% max. instrument load

Electromagnetic compatibility (EMC)

Emissions:	BS EN50081-2
Immunity:	BS EN50082-2
Electrical safety:	To EN61010: Installation category II; Pollution degree 2

Physical

Panel mounting:	DIN43700
Bezel size:	144 x 144mm
Panel cutout dimensions:	138 x 138mm (both - 0 + 1 mm)
Depth behind bezel rear face:	220mm (no terminal cover); 236mm (standard terminal cover) 275mm (long terminal cover closed) 390mm (long terminal cover open)
Weight:	< 3.5kg
Panel mounting:	Vertical ±30°C

TECHNICAL SPECIFICATION (continued)

Recorder (continued)

Printing System 4101C, 4102C

Pen type:	Disposable fibre-tipped pens
Pen resolution:	0.15 mm
Trace colours:	See Table 5
Pen life:	1.2km (channel); 7.5 x 10 ⁵ dots (annotator)
Update rate:	4 Hz
Response time (max):	2 seconds
Characters per line:	38

Channel	1 (top)	2	3	4 (bottom)	Annotator
Colour	blue	red	green	violet	black

Table 5 4101C, 4102C Trace colours

Printing System 4101M, 4102M

Pen type:	Six nib cartridge
Pen resolution:	0.2 mm
Trace colours:	See Table 6
Pen life:	1.5 x 10 ⁶ dots per colour
Update rate:	2 Hz
Response time (max):	1 pass every 5 seconds
Characters per line:	42

Channel	1	2	3	4	5	6
Colour	violet	red	black	green	blue	brown

Table 6 4101M, 4102M Trace colours

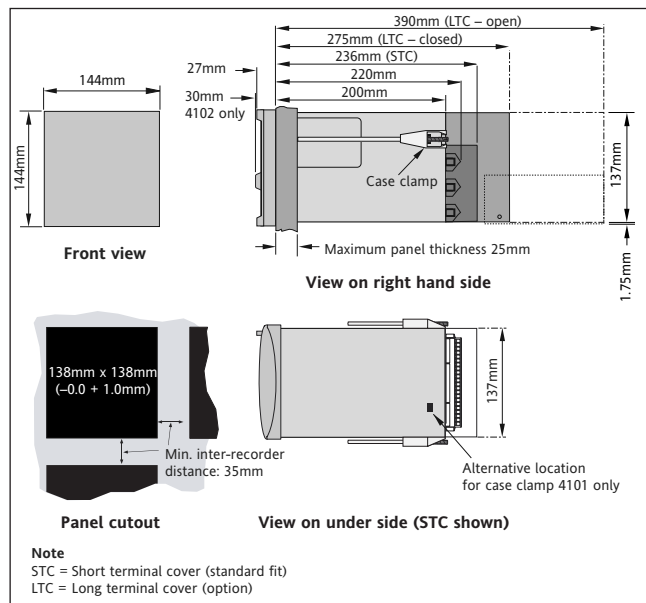
Paper transport

Type:	Stepper motor driving sprocket tube
Chart speeds:	4101C, 4102C with annotation: Off 5, 10, 10, 20, 30, 60, 120, 300 mm/hr 4101C, 4102C annotation inhibited: 600, 1200, 3600, 18000, 36000 mm/hr 4101M, 4102M: Off, 5, 10, 20, 30, 60, 120 mm/hr
Chart type:	Standard: 16 metre z-fold Option: 32 metre roll

Vacuum fluorescent display (4102C, 4102M)

Process value:	Four, blue 15mm high characters with minus sign as required
Channel number:	Single, green 8mm high character
Alarm indication:	Pair of red arrows for high and low alarms
Channel hold indication:	Red 'H' below channel number when channel hold in operation
Keypad:	5-key keypad for operator/configuration access

MECHANICAL INSTALLATION



Options

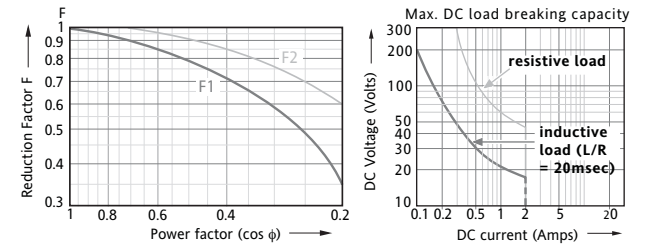
All isolation figures are Installation category II and Pollution degree 2

Relay outputs

Maximum switching power:	500VA
Maximum breaking current:	2 Amps within above power ratings
Maximum contact voltage:	250V within above power ratings
Maximum dc ratings:	See Graph 2
Isolation (dc to 65Hz; BS EN61010):	Contact-contact: 300V RMS or dc (double insulation) Contact to ground: 300V RMS or dc (basic insulation)
Estimated life*	30,000,000 operations

* With resistive loads. With inductive loads, derate according to Graph 1, in which:

Contact life = resistive life x F1 or F2 where
F1 = measured on representative examples and
F2 = typical values according to experience



Graph 1 Derating curves

Graph 2 DC ratings

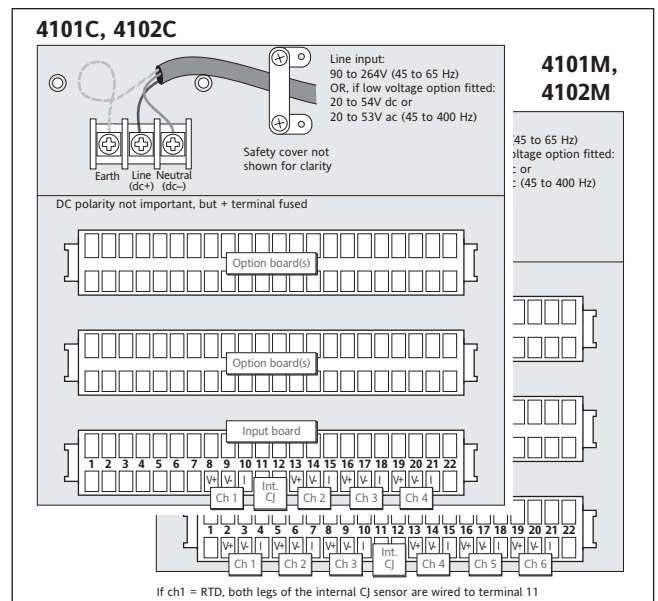
Event inputs

Isolation (dc to 65Hz; BS EN61010):	Event input to ground: 100V RMS or dc (double insulation) Event input to Event input: 0V
Recognition levels:	Low: -30V to +0.8V High: 2 to 30V

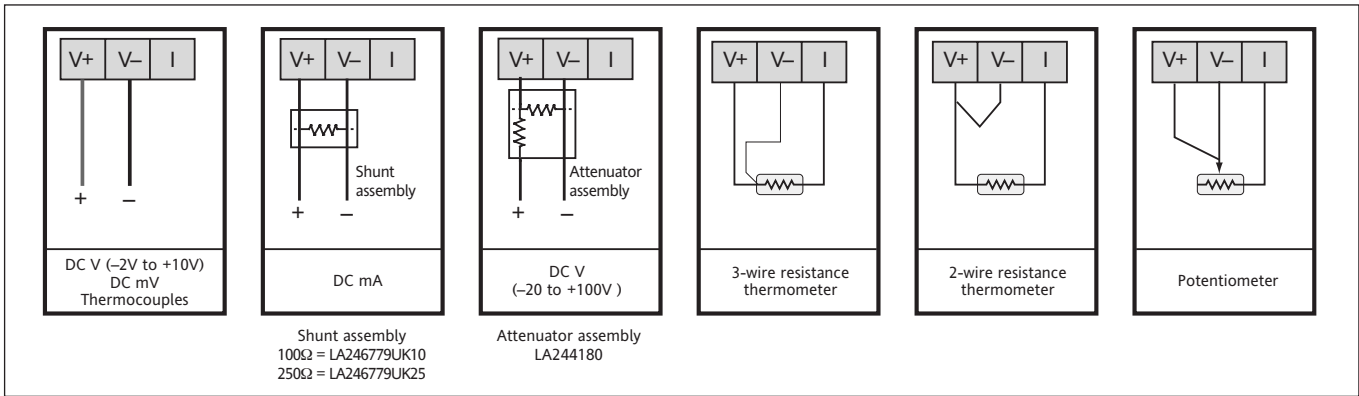
Transmitter Power Supply

Output voltage:	3 or 6 x 25V dc (nom) outputs
Isolation (dc to 65Hz; BS EN61010):	Channel to channel: 100V RMS or dc (double insulation) Channel to ground: 100V RMS or dc (basic insulation)
Cover rating:	IP10

SUPPLY VOLTAGE AND INPUT BOARD TERMINATION



INPUT BOARD SIGNAL WIRING



Steriliser Option 4101/2

This option offers four inputs to control chart on/off and annotation of events.

Contact 1, when closed the chart runs normally. When open the pens are parked at Zero and the chart winds on 80mm.

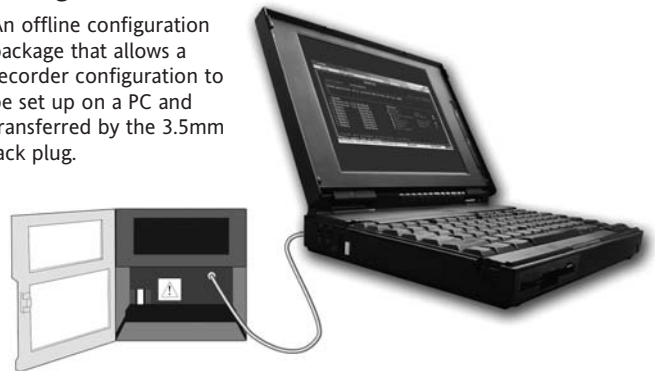
Contact 2, applies to annotating recorders only. When closed the current time and date is printed, and as long as the contact remains closed the chart will run at its selected speed, with annotation inhibited. Once the contact goes open the pens are zeroed; the time date, scales and chart speed are printed and the chart is advanced by 80mm and stopped.

Contact 3, applies to annotating recorders only. On closure the message "EVENT START HH:MM:SS" is printed, where HH:MM:SS show the time of closure in hours, minutes and seconds. On the contact opening, the message "DURATION HH:MM:SS" is printed, where HH:MM:SS shows how long the contact was closed, therefore providing Sterilisation time.

Contact 4, If either contact 1 or 2 is closed then pen 4 (continuous) or pen 6 (multipoint) is used to show the status of Contact 4. Whilst contact 4 is open the trace is at 100%, whilst closed the trace is at 96%.

Configuration Editor

An offline configuration package that allows a recorder configuration to be set up on a PC and transferred by the 3.5mm jack plug.



Eurotherm: International sales and service

AUSTRALIA Sydney
Eurotherm Pty. Ltd.
T (+61 2) 9838 0099
E info.au@eurotherm.com

AUSTRIA Vienna
Eurotherm GmbH
T (+43 1) 7987601
E info.at@eurotherm.com

BELGIUM & LUXEMBOURG Moha
Eurotherm S.A./N.V.
T (+32) 85 274080
E info.be@eurotherm.com

BRAZIL Campinas-SP
Eurotherm Ltda.
T (+5519) 3707 5333
E info.br@eurotherm.com

DENMARK Copenhagen
Eurotherm Danmark AS
T (+45 70) 234670
E info.dk@eurotherm.com

FINLAND Abo
Eurotherm Finland
T (+358) 22506030
E info.fi@eurotherm.com

FRANCE Lyon
Eurotherm Automation SA
T (+33 478) 664500
E info.fr@eurotherm.com

GERMANY Limburg
Eurotherm Deutschland GmbH
T (+49 6431) 2980
E info.de@eurotherm.com

HONG KONG & CHINA
Eurotherm Limited North Point
T (+85 2) 28733826
E info.hk@eurotherm.com

Guangzhou Office
T (+86 20) 8755 5099
E info.cn@eurotherm.com

Beijing Office
T (+86 10) 6567 8506
E info.cn@eurotherm.com

Shanghai Office
T (+86 21) 6145 1188
E info.cn@eurotherm.com

INDIA Chennai
Eurotherm India Limited
T (+91 44) 24961129
E info.in@eurotherm.com

IRELAND Dublin
Eurotherm Ireland Limited
T (+353 1) 4691800
E info.ie@eurotherm.com

ITALY Como
Eurotherm S.r.l.
T (+39 31) 975111
E info.it@eurotherm.com

KOREA Seoul
Eurotherm Korea Limited
T (+82 31) 2738507
F (+82 31) 2738508

NETHERLANDS Alphen a/d Rijn
Eurotherm B.V.
T (+31 172) 411752
E info.nl@eurotherm.com

NORWAY Oslo
Eurotherm A/S
T (+47 67) 592170
E info.no@eurotherm.com

POLAND Katowice
Invensys Eurotherm Sp z o.o.
T (+48 32) 2185100
E info.pl@eurotherm.com

SPAIN Madrid
Eurotherm España SA
T (+34 91) 6616001
E info.es@eurotherm.com

SWEDEN Malmo
Eurotherm AB
T (+46 40) 384500
E info.se@eurotherm.com

SWITZERLAND Wallerau
Eurotherm Produkte (Schweiz) AG
T (+41 44) 7871040
E info.ch@eurotherm.com

UNITED KINGDOM Worthing
Eurotherm Limited
T (+44 1903) 268500
E info.uk@eurotherm.com
www.eurotherm.co.uk

U.S.A. Leesburg VA
Eurotherm Inc.
T (+1 703) 443 0000
E info.us@eurotherm.com
www.eurotherm.com

ED53

© Copyright Eurotherm Limited 2007

Invensys, Eurotherm, the Eurotherm logo, Chessell, EurothermSuite, Mini8, Eycan, Eyris and Wonderware are trademarks of Invensys plc, its subsidiaries and affiliates. All other brands may be trademarks of their respective owners.

All rights are strictly reserved. No part of this document may be reproduced, modified, or transmitted in any form by any means, nor may it be stored in a retrieval system other than for the purpose to act as an aid in operating the equipment to which the document relates, without the prior written permission of Eurotherm limited.

Eurotherm Limited pursues a policy of continuous development and product improvement. The specifications in this document may therefore be changed without notice. The information in this document is given in good faith, but is intended for guidance only.

Eurotherm Limited will accept no responsibility for any losses arising from errors in this document.